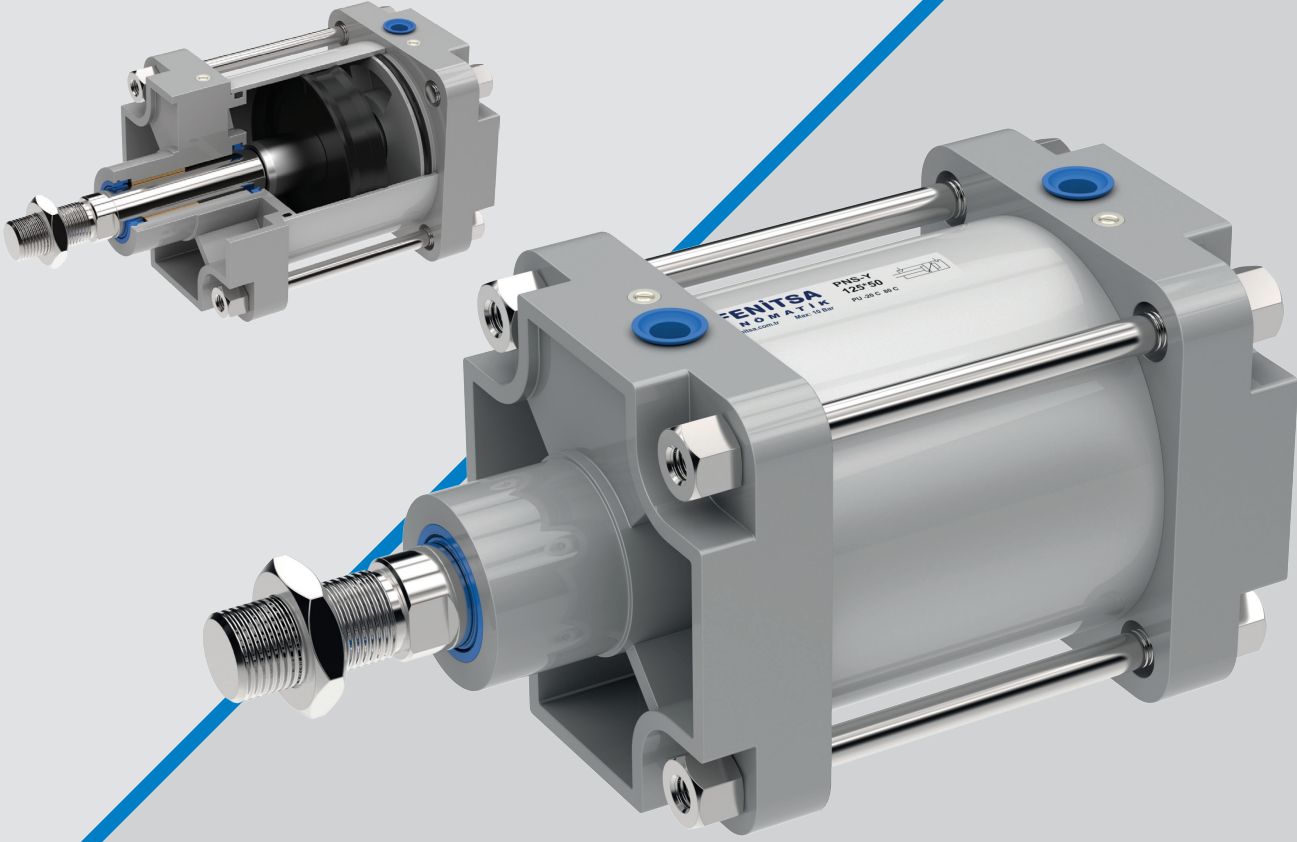


Cetop Pnömatik Normal Seri / Yastıklı Silindir

Standard Series Cylinder

CETOP RP 53P | PNS

CETOP RP 53P | PNSY



Çalışma Sıcaklığına Göre Keçe Sistemi Seal Choice Depending on the Working Temperature

| | | |
|---|--------------------|--------------------------------|
| Poliüretan (PU) Polyurethane (PU) | (-20°C) - (+80°C) | Standart Ürün Standard Seal |
| Viton (FKM) Viton (FKM) | (-30°C) - (+180°C) | Opsiyon Ürün Optional Seal |

| Kod / Code | Sembol / Symbol | Model | Açıklama / Description |
|------------|-----------------|---|--|
| PNS | | Standart Silindir Standard Cylinder | Çift Etkili Silindir Double Acting |
| PNSC | | Çift Millî Silindir Double Rod Cylinder | Çift Millî Çift Etkili Double Rod, Double Acting |
| PNST | | Tandem Silindir Tandem Cylinder | Tek Stroklu Tek Millî Çift Etkili Silindir Single Stroke, Single Rod, Double Acting |
| PNSD | | İki Pozisyonlu Tandem Silindir Double Position Tandem Cylinder | Çift Stroklu Çift Millî Çift Etkili Silindir Double Stroke, Double Rod, Double Acting |

Not: Tandem Silindirde kuvvet iki kat artar. / Note: Using tandem cylinder doubles cylinder power.

| Kod Code | Sembol / Symbol | Model | Açıklama / Description |
|----------|-----------------|---|--|
| PNSY | | Standart Silindir Standard Cylinder | Yastıklı Çift Etkili Silindir Cushion, Double Acting |
| PNSYC | | Çift Millî Silindir Double Rod Cylinder | Yastıklı Çift Millî Çift Etkili Cushion, Double Rod, Double Acting |
| PNSYT | | Tandem Silindir Tandem Cylinder | Yastıklı Tek Stroklu Tek Millî Çift Etkili Silindir Cushion, Single Stroke, Single Rod, Double Acting |
| PNSYD | | İki Pozisyonlu Tandem Silindir Double Position Tandem Cylinder | Yastıklı Çift Stroklu Çift Millî Çift Etkili Silindir Cushion, Double Stroke, Double Rod, Double Acting |

Not: Tandem Silindirde kuvvet iki kat artar. / Note: Using tandem cylinder doubles cylinder power.

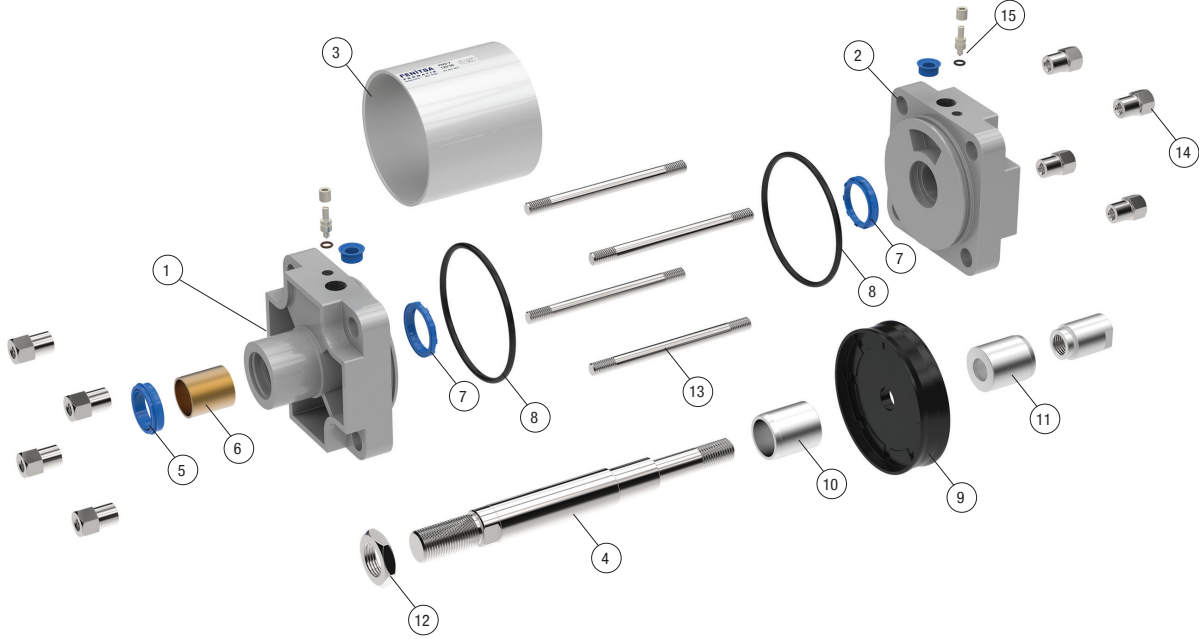
| Silindir Cylinder (Ø mm) | Mil Rod (Ø mm) | İtme Kuvveti (kg) Thrust Force (kg) (6 Bar) | Çekme Kuvveti (kg) Traction Force (kg) (6 Bar) |
|--------------------------------|----------------------|---|--|
| 125 | 32 | 735 | 688 |
| 160 | 45 | 1206 | 1111 |
| 200 | 45 | 1884 | 1789 |
| 250 | 50 | 2944 | 2827 |
| 320 | 63 | 4823 | 4638 |

1kg: 10 Newton

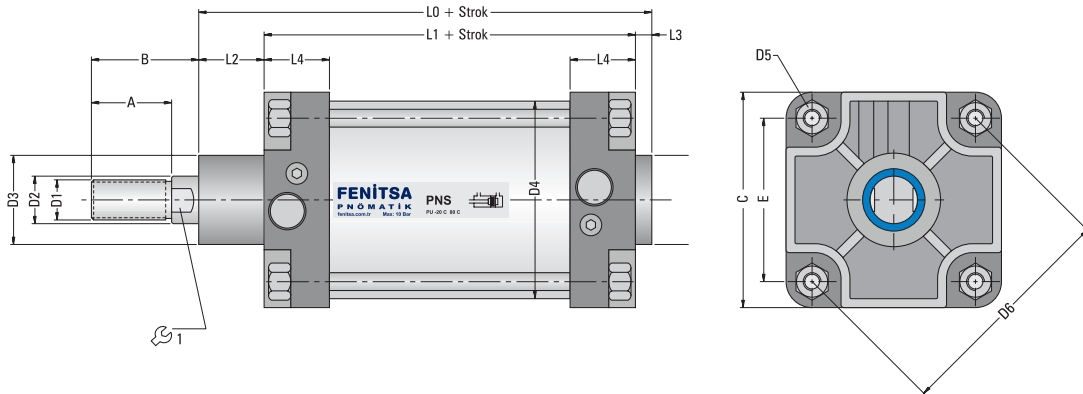
Genel Özellikler / General Features

| | |
|---|--|
| Çalışma Şartı Working Condition | Filtre edilmiş ve yağlı hava ile çalışır. Works with filtered and lubricated oil. |
| Çalışma Basıncı Working Pressure | 1.5 / 10 Bar |
| Silindir Çapları (mm) Diameter (mm) | Ø125-Ø160-Ø200-Ø250-Ø320 |
| Strok (mm) Stroke (mm) | 50-100-125-160-200-250-300-350-400-450-500 |

İstenilen strokta üretim yapılmaktadır./We produce at desired stroke..

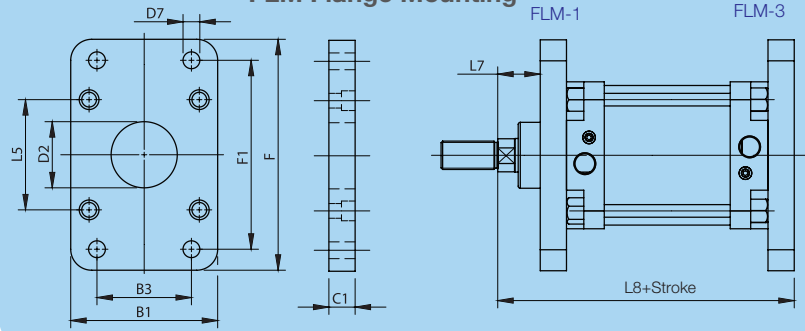


| No | Parça Adı / Product Name | Adet/pcs | No | Parça Adı / Product Name | Adet/pcs | No | Parça Adı / Product Name | Adet/pcs |
|----|------------------------------|----------|----|-----------------------------------|----------|----|----------------------------------|----------|
| 1 | Ön Kapak Front End Cover | 1 | 6 | Yataklama Burcu Guiding Band | 1 | 11 | Yastıklama Somunu Cushion Nut | 1 |
| 2 | Arka Kapak Rear End Cover | 1 | 7 | Yastıklama Keçesi Cushion Seal | 2 | 12 | Mil Ucu Somunu Rod Nut | 1 |
| 3 | Boru Tube | 1 | 8 | Kapak O-ringi Cover O-Ring | 2 | 13 | Saplama Stud | 4 |
| 4 | Piston Mili Piston Rod | 1 | 9 | Piston Keçesi Piston Seal | 1 | 14 | Saplama Somunu Stud Nut | 8 |
| 5 | Mil Keçesi Rod Seal | 1 | 10 | Yastıklama Burcu Cushion Bush | 1 | 15 | Yastıklama Vidası Cushion Nut | 2 |

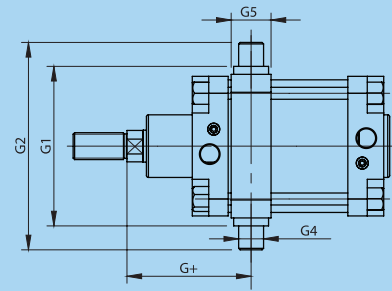


| Silindir/ Cylinder (Ø mm) | A | B | C | D1 (Ø) | D2 (Ø) | D3 (Ø) | D4 (Ø) | D5 | D6 | E | L0 | L1 | L2 | L3 | L4 | 1 | ★ |
|------------------------------|----|-----|-----|-----------|-----------|-----------|-----------|-----|-----|-------|-----|-----|----|----|----|----|-------|
| 125 | 48 | 70 | 140 | M27x2 | 32 | 63 | 133 | M12 | 150 | 106 | 208 | 150 | 48 | 6 | 36 | 27 | G1/2" |
| 160 | 72 | 102 | 180 | M36x2 | 45 | 80 | 168 | M14 | 190 | 134.4 | 235 | 170 | 55 | 10 | 46 | 41 | G3/4" |
| 200 | 72 | 102 | 220 | M36x2 | 45 | 80 | 210 | M16 | 234 | 165.5 | 257 | 180 | 65 | 12 | 46 | 41 | G3/4" |
| 250 | 84 | 114 | 270 | M42x2 | 50 | 100 | 260 | M20 | 288 | 203.7 | 289 | 200 | 75 | 14 | 50 | 46 | G1" |
| 320 | 96 | 126 | 340 | M48x2 | 63 | 110 | 330 | M24 | 360 | 254.6 | 326 | 220 | 90 | 16 | 56 | 55 | G1" |

FLM Flange Mounting

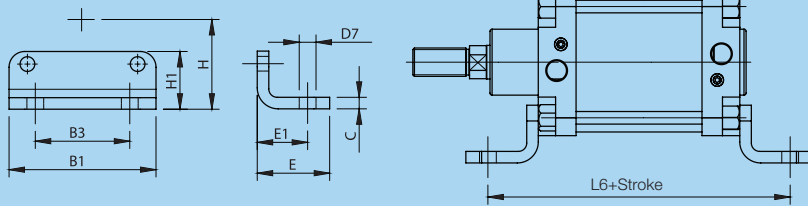


CTM-1 Central Trunnion Mounting

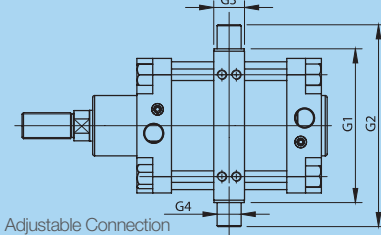


CTM-1 : Fixed Connection

FM Foot Mounting

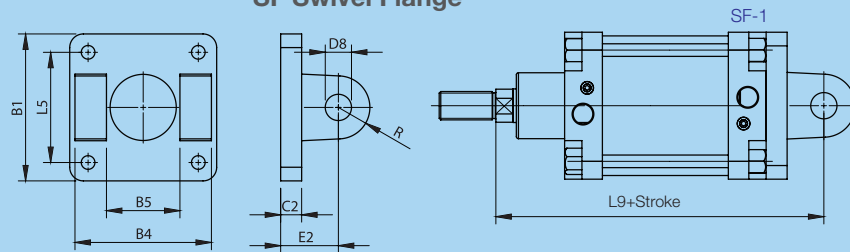


CTM-3 Central Trunnion Mounting

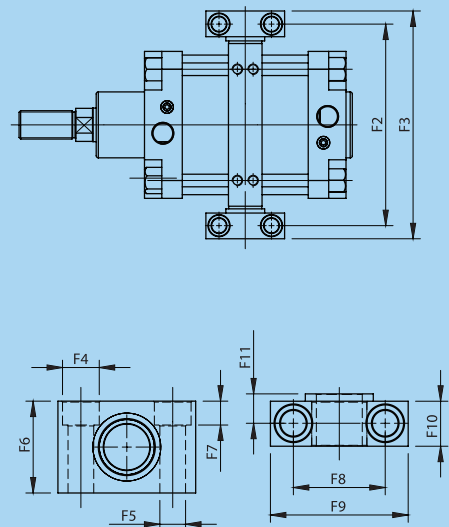


CTM-3 : Adjustable Connection

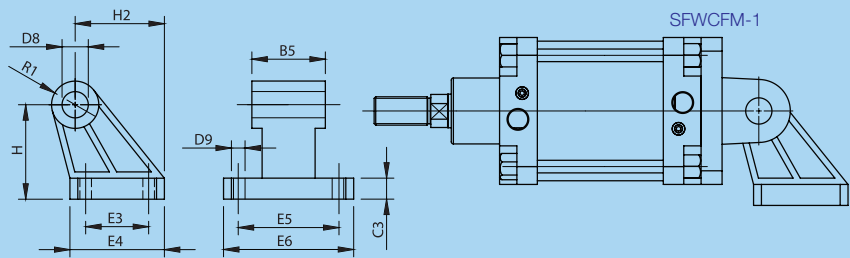
SF Swivel Flange



TSM Trunnion Support Mounting



CFM Clevis Foot Mounting

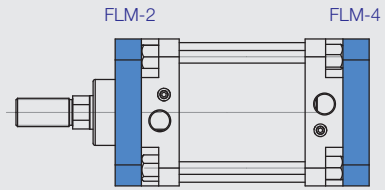
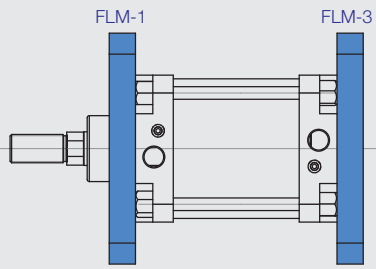


SFWCFM Swivel Flange with Clevis Foot Mounting

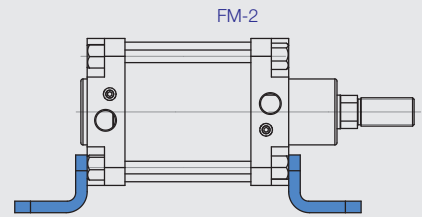
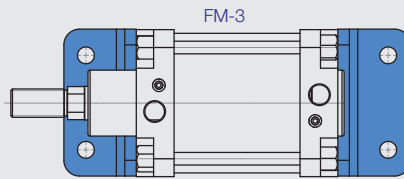
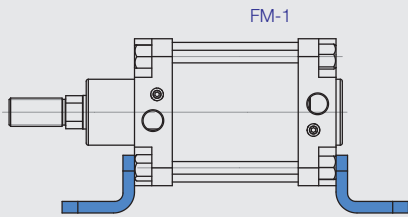
| Cylinder (∅) mm | B1 | B3 | B4 | B5 | C | C1 | C2 | C3 | D2 (∅) H11 | D7 (∅) H13 | D8 (∅) H9 | D9 (∅) H13 | E | E1 | E2 | E3 | E4 | E5 | E6 | F | F1 | F2 | F3 | F4 (∅) H13 |
|-----------------|-----|-----|-----|-----|----|----|----|----|------------|------------|-----------|------------|-----|----|----|-----|-----|-----|-----|-----|-----|-----|-----|------------|
| 125 | 140 | 90 | 130 | 70 | 11 | 25 | 20 | 20 | 63 | 16 | 25 | 14 | 69 | 50 | 55 | 60 | 90 | 94 | 124 | 220 | 180 | 192 | 217 | 20 |
| 160 | 180 | 115 | 170 | 90 | 13 | 25 | 22 | 25 | 80 | 18 | 30 | 14 | 87 | 65 | 60 | 88 | 126 | 118 | 156 | 280 | 230 | 245 | 280 | 26 |
| 200 | 220 | 135 | 170 | 90 | 15 | 25 | 25 | 30 | 80 | 22 | 30 | 18 | 95 | 70 | 60 | 90 | 130 | 122 | 162 | 320 | 270 | 295 | 330 | 26 |
| 250 | 270 | 165 | 200 | 110 | 20 | 25 | 25 | 35 | 100 | 26 | 40 | 22 | 105 | 75 | 70 | 110 | 160 | 150 | 200 | 390 | 330 | 375 | 420 | 33 |
| 320 | 340 | 200 | 220 | 120 | 23 | 30 | 30 | 40 | 110 | 33 | 45 | 26 | 125 | 85 | 80 | 122 | 186 | 170 | 234 | 470 | 400 | 465 | 520 | 40 |

| Cylinder (∅) mm | F5 (∅) H13 | F6 | F7 | F8 | F9 | F10 | F11 | G1 | G2 | G3 | G4 (∅) e9 | G5 | G+ | H | H1 | H2 | L5 | L6 | L7 | L8 | L9 | R | R1 | |
|-----------------|------------|----|------|-----|------|-----|------|-----|-----|-----|-----------|----|-----|-----|-----|-----|-------|-----|-----|-----|-----|-----|------|------|
| 125 | 14 | 50 | 13 | 50 | ±0,3 | 75 | 24,5 | 16 | 160 | 210 | 32 | 25 | 38 | 125 | 90 | 55 | 85 | 106 | 250 | 45 | 245 | 275 | 30 | 22,5 |
| 160 | 18 | 60 | 17 | 60 | 92 | 36 | 22,5 | 200 | 264 | 40 | 32 | 48 | 155 | 115 | 70 | 116 | 134,4 | 300 | 60 | 280 | 315 | 32 | 31,5 | |
| 200 | 18 | 60 | 17 | 60 | 92 | 36 | 22,5 | 250 | 314 | 40 | 32 | 48 | 165 | 135 | 80 | 125 | 165,5 | 320 | 70 | 300 | 335 | 35 | 31,5 | |
| 250 | 22 | 70 | 21,5 | 90 | 140 | 45 | 27,5 | 320 | 400 | 50 | 40 | 62 | 186 | 165 | 100 | 153 | 203,7 | 350 | 80 | 330 | 375 | 45 | 40 | |
| 320 | 26 | 80 | 25,5 | 100 | 150 | 55 | 32,5 | 400 | 500 | 60 | 50 | 65 | 210 | 200 | 120 | 182 | 254,6 | 390 | 90 | 370 | 420 | 54 | 45 | |

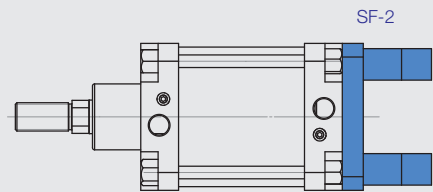
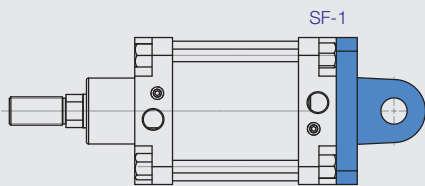
FLM Flange Mounting



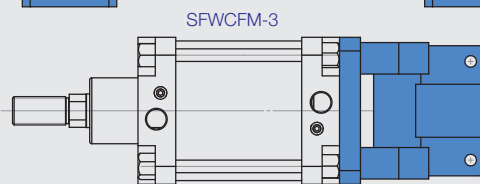
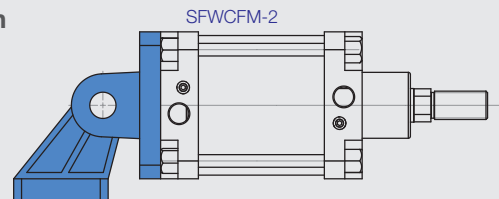
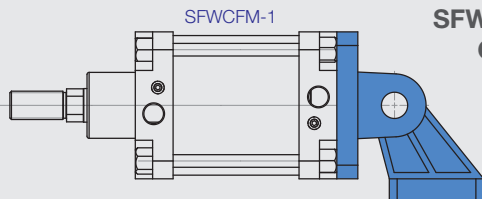
FM Foot Mounting



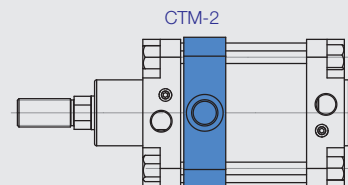
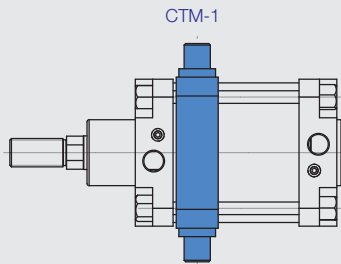
SF Swivel Flange



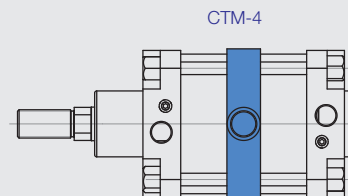
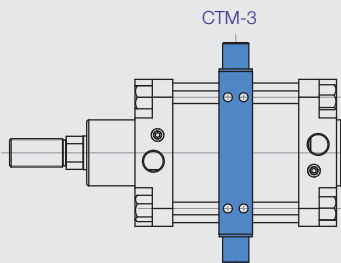
SFWCFM Swivel Flange with Clevis Foot Mounting



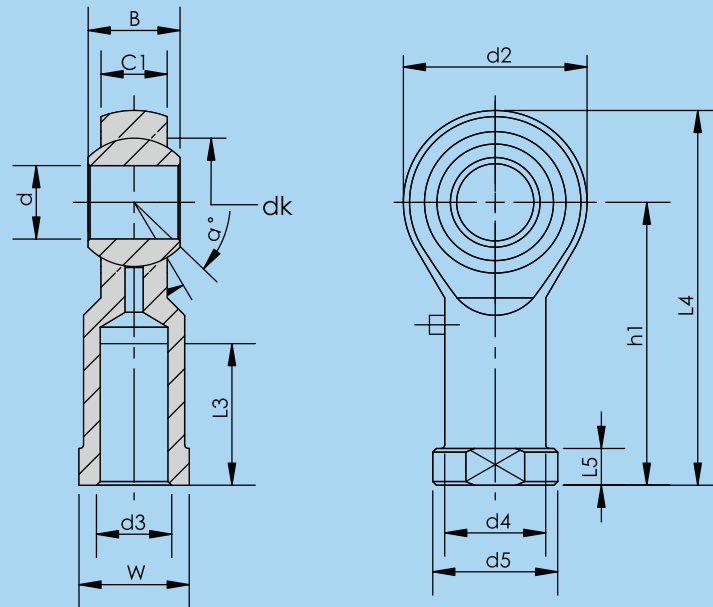
CTM Central Trunnion Mounting



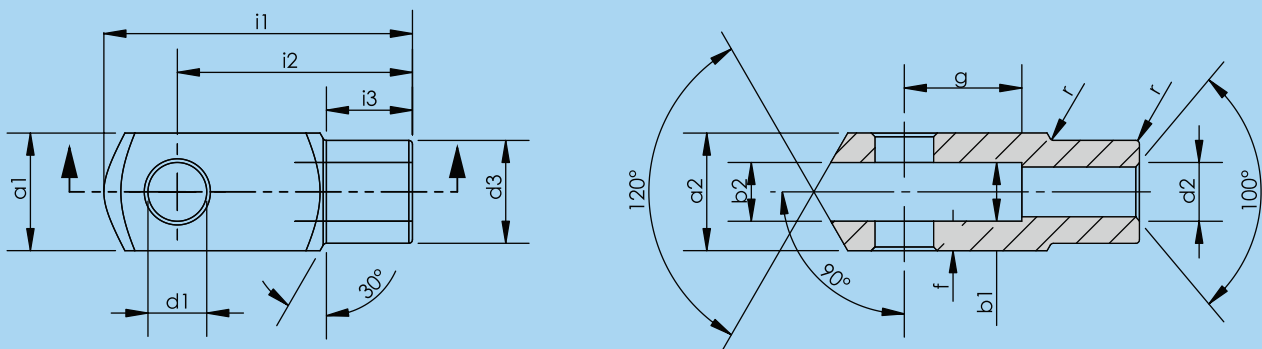
CTM-1-2
Fixed Connection



CTM-3-4
Adjustable Connection



| Part No | Dimensions (mm) | | | | | | | | | | | | | |
|-----------|-----------------|----------|----|----|----|-----------|-----|-------|-----|----|----|----|------|----|
| | d | d3 6H | B | C1 | W | L3 min | d2 | L4 | h1 | L5 | d4 | d5 | dk | a° |
| KMB 28 | 28 | M27x2.0 | 35 | 24 | 41 | 48 | 66 | 136 | 103 | 14 | 37 | 46 | 47,6 | 15 |
| KMB 30-1 | 30 | M27x2.0 | 37 | 25 | 41 | 51 | 70 | 145 | 110 | 15 | 40 | 50 | 50,8 | 17 |
| KMB 30 | 30 | M30x2.0 | 37 | 25 | 41 | 51 | 70 | 145 | 110 | 15 | 40 | 50 | 50,8 | 17 |
| KMB 35 | 35 | M36x2.0 | 43 | 28 | 50 | 56 | 81 | 165,5 | 125 | 17 | 46 | 58 | 57,1 | 16 |
| KMB 35 UK | 35 | M36x3.0 | 25 | 21 | 50 | 60 | 82 | 166 | 125 | 15 | 47 | 58 | 47 | 6 |
| KMB 40 UK | 40 | M39x3.0 | 28 | 23 | 55 | 65 | 92 | 188 | 142 | 18 | 52 | 65 | 53 | 7 |
| KMB 40 | 40 | M42x2.0 | 49 | 33 | 55 | 60 | 91 | 187,5 | 142 | 19 | 53 | 65 | 66,6 | 17 |
| KMB 50 UK | 50 | M45x3.0 | 35 | 30 | 65 | 68 | 112 | 216 | 160 | 20 | 62 | 75 | 66 | 6 |
| KMB 50 | 50 | M48x2.0 | 60 | 45 | 65 | 65 | 117 | 218,5 | 160 | 23 | 65 | 75 | 82,5 | 12 |



| Cylinder (Ø) mm | d1 H9 | g ±0,5 | a1 H11 | a2 +0,3 -0,16 | b1 B13 | b2 | d2 6H | d3 ±0,3 | f ±0,2 | i1 ±0,5 | i2 | i3 ±0,2 | r |
|-----------------------|----------|-----------|-----------|---------------------|-----------|----|----------|------------|-----------|------------|-----|------------|-----|
| 125 | 25 | 50 | 50 | 50 | 25 | 25 | M27x2 | 42 | 1,5 | 132 | 100 | 36 | 1,5 |
| 160 | 35 | 72 | 70 | 70 | 35 | 35 | M36x2 | 60 | 2 | 188 | 144 | 41 | 2 |
| 200 | 35 | 72 | 70 | 70 | 35 | 35 | M36x2 | 60 | 2 | 188 | 144 | 41 | 2 |
| 250 | 40 | 96 | 80 | 80 | 40 | 40 | M42x2 | 70 | 3 | 220 | 168 | 43 | 3 |
| 320 | 50 | 111 | 90 | 90 | 50 | 50 | M48x2 | 80 | 3 | 250 | 192 | 44 | 3 |